

W0930,W1230,W1530,W1830,W2130,W1530GD
W0936,W1236,W1536,W1836,W2136,W1536GD
W0942,W1242,W1542,W1842,W2142,W1542GD

ASSEMBLY INSTUCTIONS

Getting started:

prepare a protection layer, a screwdriver

STEP 1: Joint side panel with back panel

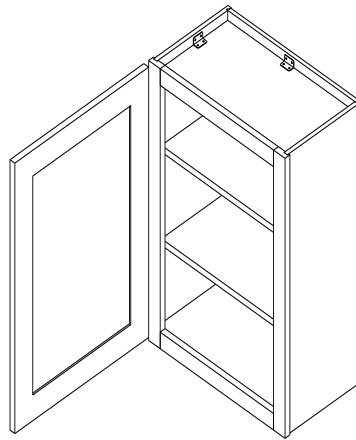
STEP 2: Joint top panel with side panel

STEP 3: Joint bottom panel with side panel

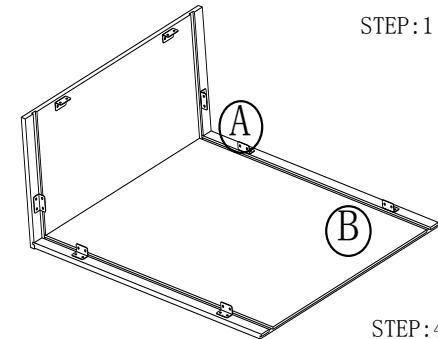
STEP 4: Attach frame on

STEP 5: Put on the adjustable shelves

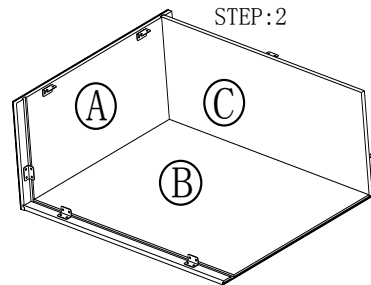
STEP 6: Fix door onto the frame and adjust the cover-space



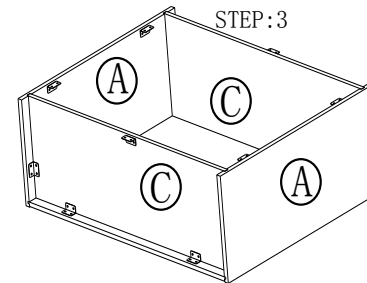
PARTS LIST		
NO.	Description	QTY
A	SIDE PANEL	2
B	BACK PANEL	1
C	TOP&BOTTOM PANEL	2
D	FACE FRAME	1
E	ADJUSTABLE SHELF	2 OR 3
F	CABINETS DOOR	1



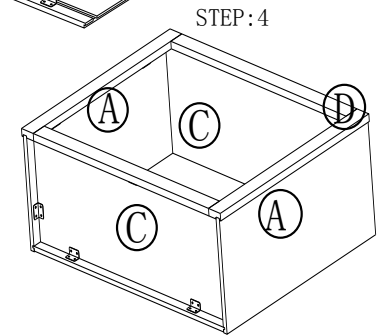
STEP:1



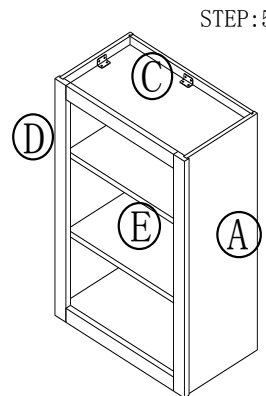
STEP:2



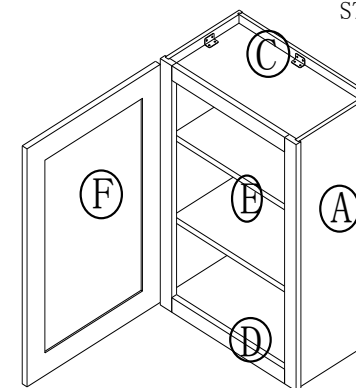
STEP:3






STEP:4



STEP:5



STEP:6

7	1 1/2" SOFTCLOSE HINGE	2	 1 1/2" hinge
6	3/4" ROUND HEAD SCREW	2	 3/4" round head screw
5	BUMPER	2	 Bumper
4	SHELF CLIP	8	 Shelf clip
3	9/16"ROUND HEAD SCREW	40	 9/16" round head screw
2	CLEAT	10	 Cleat
1	1"FLAT HEAD SCREW FOR CARCASS	4	 1" flat head screw
NO.	Description	QTY	PICTURE

HARDWARE LIST