

# VKD36

## ASSEMBLY INSTRUCTIONS

Getting started:

prepare a protection layer, a screwdriver

STEP 1: Joint side panel with back panel

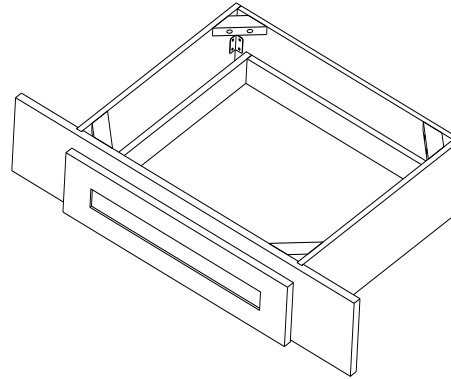
STEP 2: Joint side panel with back panel

STEP 3: Attach frame on and toekick board

STEP 4: Attach the block on the top corner





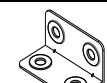
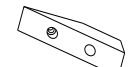

STEP 5: Joint the drawer together, then install the drawer guide.

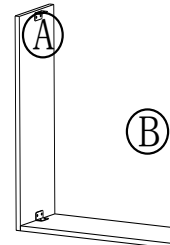
STEP 6: Fix drawer head on the drawer front and adjust the cover-space

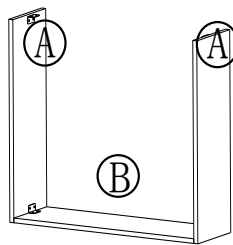


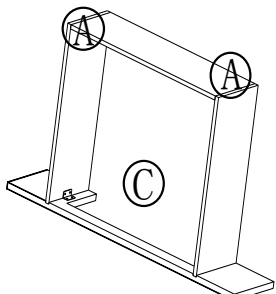
PARTS LIST		
NO.	Description	QTY
A	SIDE PANEL	2
B	BACK PANEL	1
C	FACE FRAME	1
D	DRAWER HEAD	1
E	DRAWER BOX BOTTOM	1
F	DRAWER BOX FRONT AND BACK	2
G	DRAWER BOX SIDE	2

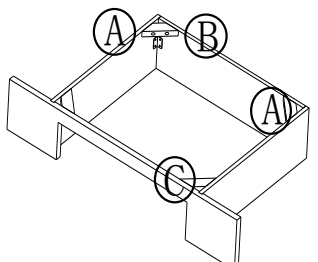
H

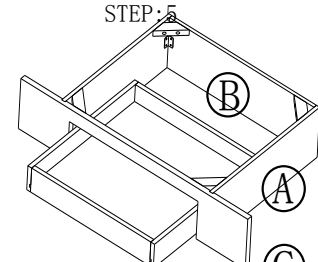
7	BUMPER	4	 Bumper
6	1" ROUND HEAD SCREW	4	 1" round head screw
5	18" SELFCLOSE SLIDE	1	 Selfclose slider
4	9/16" ROUND HEAD SCREW	16	 9/16" round head screw
3	CLEAT	4	 Cleat
2	BLOCK	4	
1	1" FLAT HEAD SCREW FOR WOOD BLOCK	8	 1" flat head screw

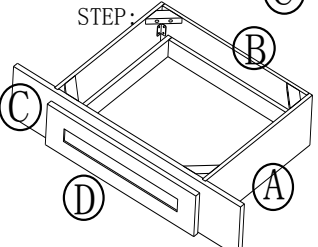
STEP:1 

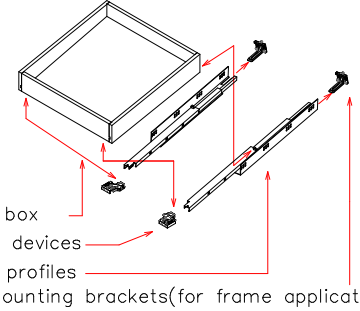
STEP:2 

STEP:3 

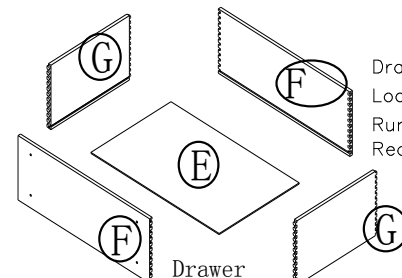
STEP:4 

STEP:5 

STEP:6 

Full extension concealed drawer runners 

Drawer box  
Locking devices  
Runner profiles  
Rear mounting brackets(for frame applications)

Drawer 

NO.	Description	QTY	PICTURE
-----	-------------	-----	---------

### HARDWARE LIST