

V3021DL&DR

ASSEMBLY INSTRUCTIONS

Getting started:

prepare a protection layer, a screwdriver

STEP 1: Joint side panel with back panel

STEP 2: Joint bottom panel with side panel

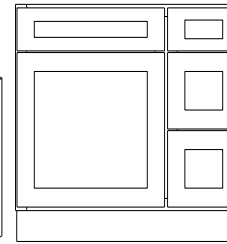
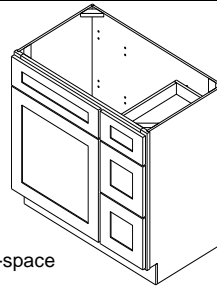
STEP 3: Joint side panel with bottom & back panel

STEP 4: Attach frame on and toekick board

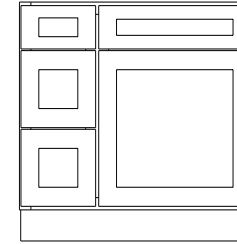
STEP 5: Joint the drawer together, then install the drawer guide.

STEP 6: Attach the block on the top corner.

STEP 7: Fix drawer head on the drawer front and fix door onto the frame and adjust the cover-space



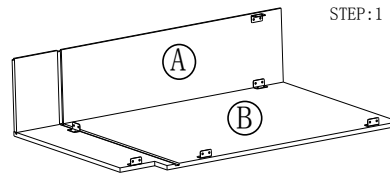
V3021DR



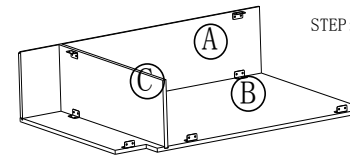
V3021DL

PARTS LIST		
NO.	Description	QTY
A	BACK PANEL	1
B	SIDE PANEL	2
C	TOP&BOTTOM PANEL	1
D	TOE KICK	1
E	FACE FRAME	1
F	DRAWER BOX FRONT AND BACK	6
G	DRAWER BOX SIDE	6
H	DRAWER BOX BOTTOM	3
I	CABINETS DOOR	1
J	DRAWER HEAD	4

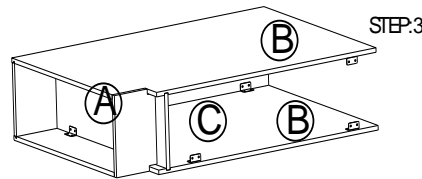
NO.	Description	QTY	PICTURE
10	1 1/2" SOFTCLOSE HINGE	2	
9	3/4" ROUND HEAD SCREW	2	
8	BUMPER	14	
7	1" ROUND HEAD SCREW	12	
6	Selfclose slider	3	
5	9/16" ROUND HEAD SCREW	44	
4	CLEAT	11	
3	1" FLAT HEAD SCREW FOR CARCASS	4	
2	BLOCK	4	
1	1" FLAT HEAD SCREW FOR WOOD BLOCK	8	



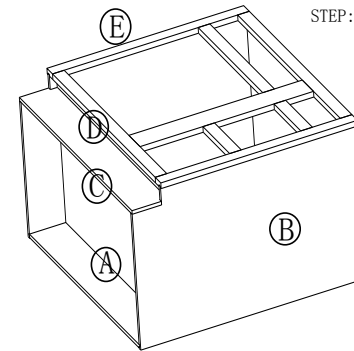
STEP:1



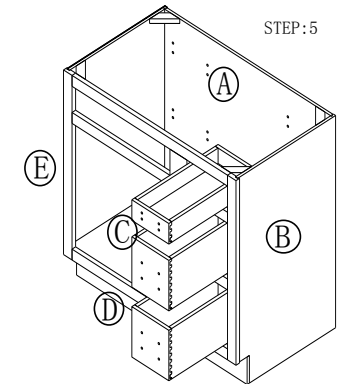
STEP:2



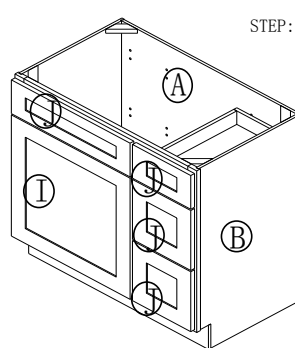
STEP:3



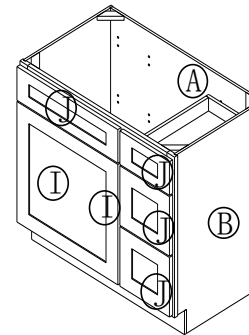
STEP:4



STEP:5

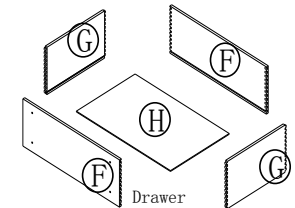
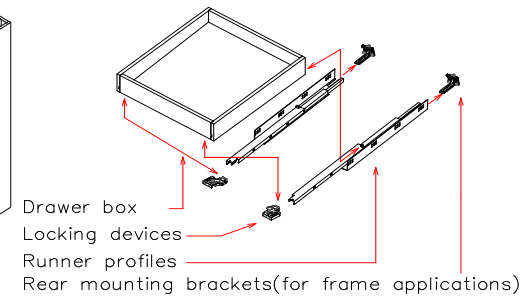


STEP:6



STEP:7

Full extension concealed drawer runners



Drawer