

U188424,U189024,U189624

U248424,U249024,U249624

ASSEMBLY INSTUCTIONS

Getting started:

prepare a protection layer, a screwdriver

STEP 1: Joint side panel with top panel

STEP 2: Joint side panel with middle & bottom panel

STEP 3: Joint side panel with middle & bottom panel

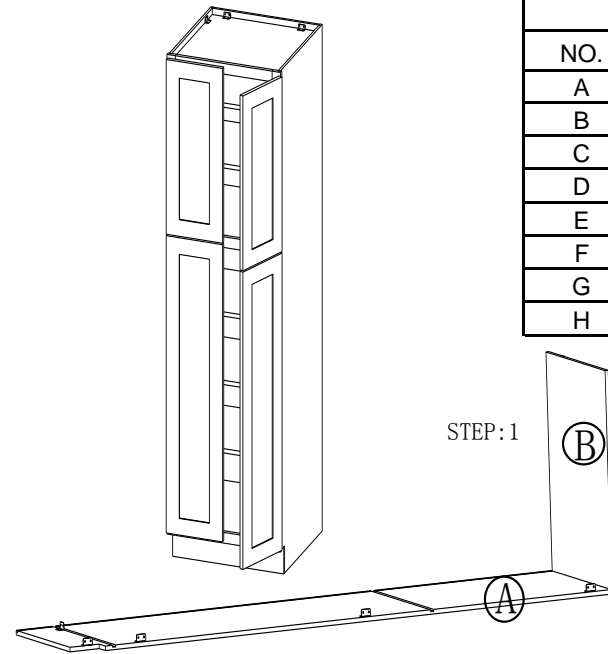
STEP 4: Joint side panel with middle & bottom panel

STEP 5: Attach frame on

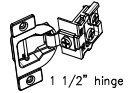





STEP 6: Put on the adjustable shelves

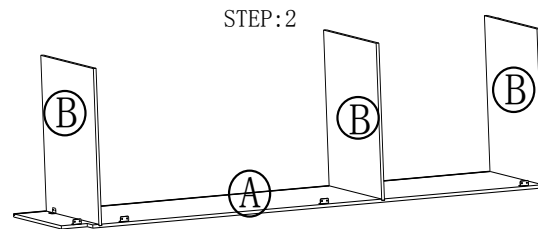
STEP 7: Fix door onto the frame and adjust the cover-space

PARTS LIST		
NO.	Description	QTY
A	SIDE PANEL	2
B	TOP&BOTTOM PANEL	3
C	TOE KICK	1
D	FACE FRAME	1
E	BACK PANEL	1
F	CABINETS DOOR	1 OR 2
G	CABINETS DOOR	1 OR 2
H	ADJUSTABLE SHELF	5

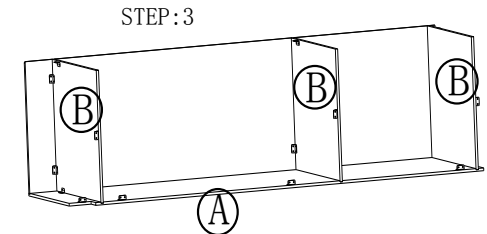


STEP:1

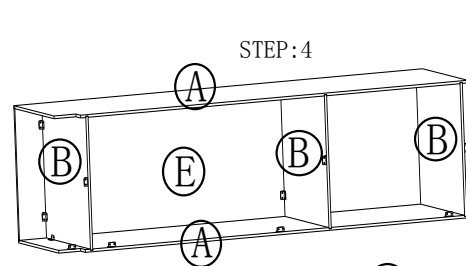
7	1 1/2" SOFTCLOSE HINGE	5	 1 1/2" hinge
6	3/4" ROUND HEAD SCREW	5	 3/4" round head screw
5	BUMPER	4	 Bumper
4	SHELF CLIP	20	 Shelf clip
3	9/16" ROUND HEAD SCREW	56	 9/16" round head screw
2	CLEAT	14	 Cleat
1	1" FLAT HEAD SCREW FOR CARCASS	6	 1" flat head screw
NO.	Description	QTY	PICTURE



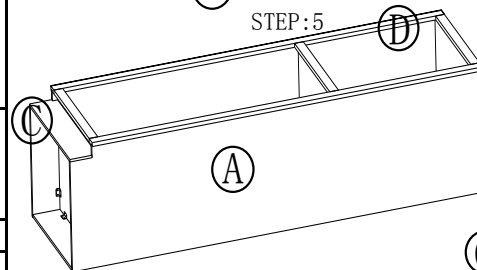
STEP:2



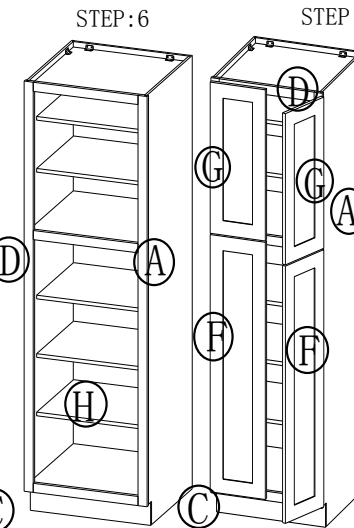
STEP:3



STEP:4



STEP:5



STEP:6

STEP:7