

SB30,SB33,SB36,VS30,VS36

ASSEMBLY INSTRUCTIONS

Getting started:

prepare a protection layer, a screwdriver

STEP 1: Joint side panel with back panel

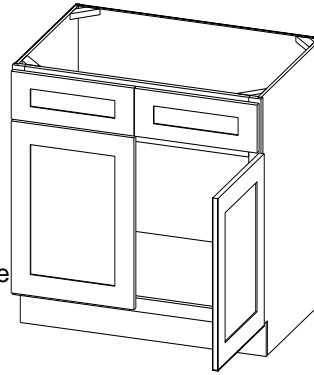
STEP 2: Joint bottom panel with side panel

STEP 3: Joint side panel with bottom & back panel

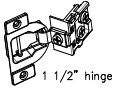



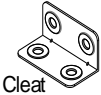

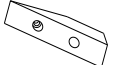

STEP 4: Attach frame on and toekick board

STEP 5: Attach the block on the top corner

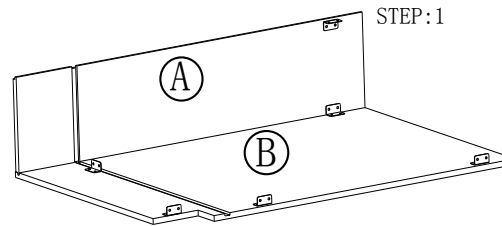
STEP 6: Fix door&drawer head onto the frame and adjust the cover-space



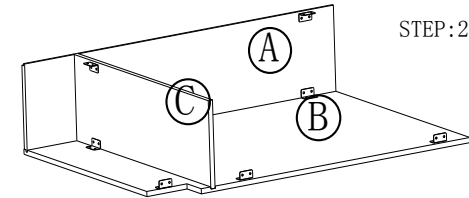
PARTS LIST		
NO.	Description	QTY
A	BACK PANEL	1
B	SIDE PANEL	2
C	TOP&BOTTOM PANEL	1
D	TOE KICK	1
E	FACE FRAME	1
F	DRAWER HEAD	2
G	CABINETS DOOR	2

8	1 1/2" SOFTCLOSE HINGE	4	
7	3/4" ROUND HEAD SCREW	4	
6	BUMPER	4	
5	9/16" ROUND HEAD SCREW	44	
4	CLEAT	11	
3	1" FLAT HEAD SCREW FOR CARCASS	4	
2	BLOCK	4	
1	1" FLAT HEAD SCREW FOR WOOD BLOCK	8	
NO.	Description	QTY	PICTURE

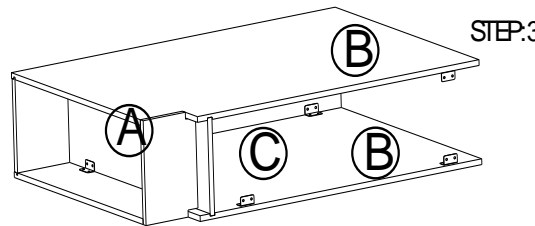
HARDWARE LIST



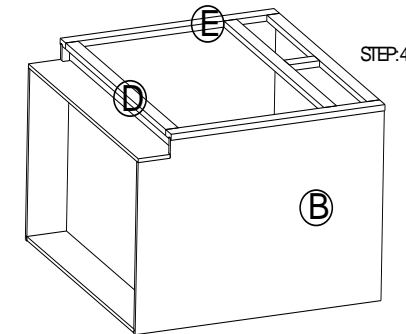
STEP:1



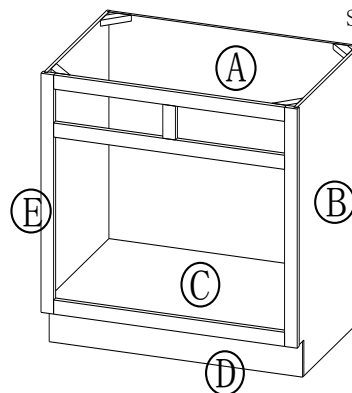
STEP:2



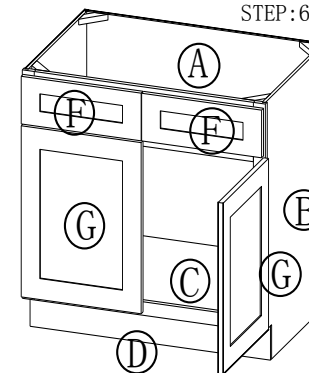
STEP:3



STEP:4



STEP:5



STEP:6

How To Fix Soft Close Hinge

