

**PR3015**

**ASSEMBLY INSTUCTIONS**

Getting started:

prepare a protection layer, a screwdriver

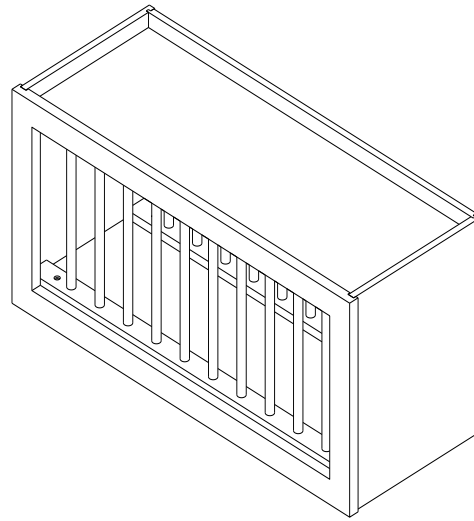
STEP 1: Joint side panel with back panel

STEP 2: Joint top panel with side panel

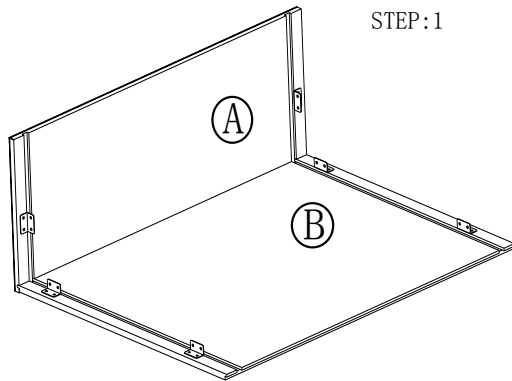
STEP 3: Joint bottom panel with side panel

STEP 4: Attach the dish rack on the both side

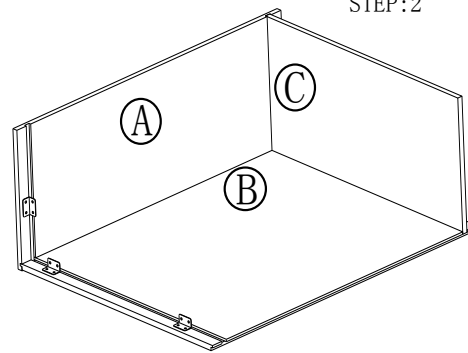
STEP 5: Attach front face frame on



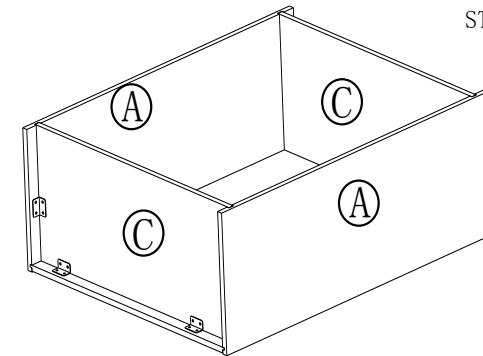
PARTS LIST		
NO.	Description	QTY
A	SIDE PANEL	2
B	BACK PANEL	1
C	TOP&BOTTOM PANEL	2
D	PLATE RACK	2
E	FACE FRAME	1



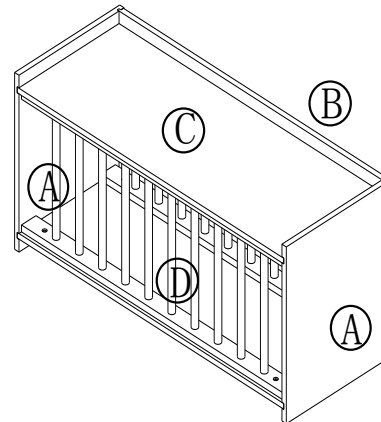
STEP:1



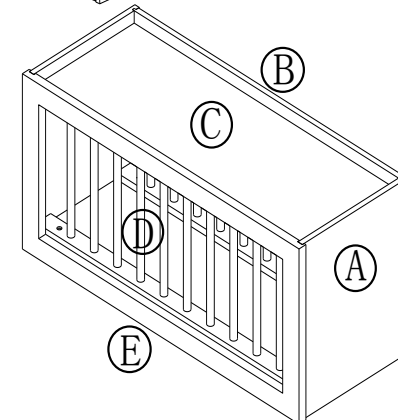
STEP:2




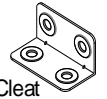

STEP:3



STEP:4



STEP:5

3	9/16"ROUND HEAD SCREW	48	 9/16" round head screw
2	CLEAT	12	 Cleat
1	1"FLAT HEAD SCREW FOR CARCASS	16	 1" flat head screw
NO.	Description	QTY	PICTURE

**HARDWARE LIST**