

OE1230,OE1236,OE1242

ASSEMBLY INSTUCTIONS

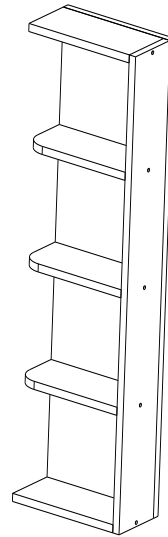
Getting started:

prepare a protection layer, a screwdriver

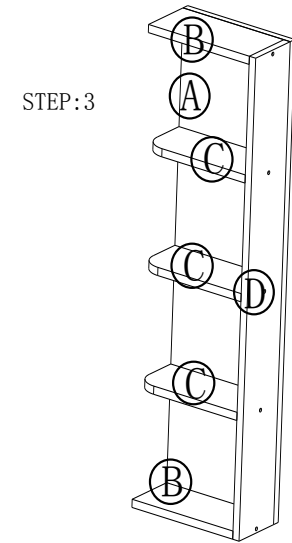
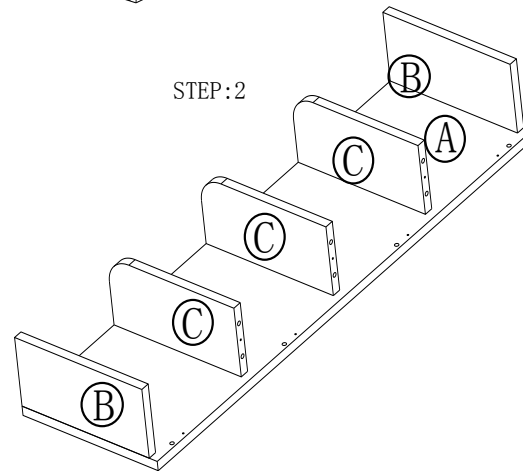
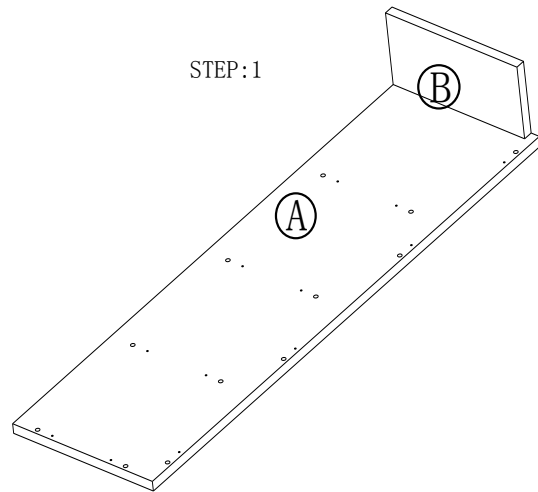
STEP 1: Joint top&bottom panel with side panel



STEP 2: Joint middle&bottom panel with side panel

STEP 3: Joint back panel with side panel



PARTS LIST		
NO.	Description	QTY
A	SIDE PANEL	1
B	TOP AND BOTTOM	2
C	ADJUSTABLE SHELF	2 OR 3
D	SIDE PANEL	1



2	DOWEL	24 OR 19	 Dowel
1	1"FLAT HEAD SCREW FOR CARCASS	19	 1" flat head screw
NO.	Description	QTY	PICTURE
HARDWARE LIST			