

MO3030,MO3036,MO3042

ASSEMBLY INSTUCTIONS

Getting started:

prepare a protection layer, a screwdriver

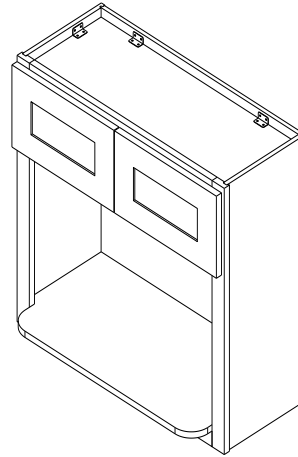
STEP 1: Joint top panel with back panel

STEP 2: Joint side panel with back panel

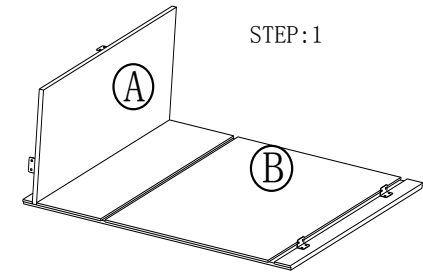
STEP 3: Joint bottom panel and middle panel with side panel

STEP 4: Attach frame on

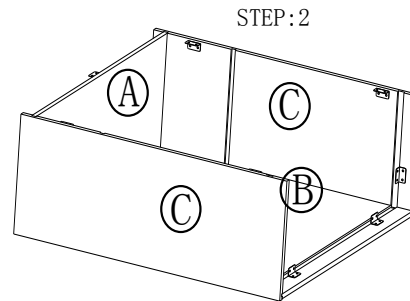
STEP 5: Fix door onto the frame and adjust the cover-space



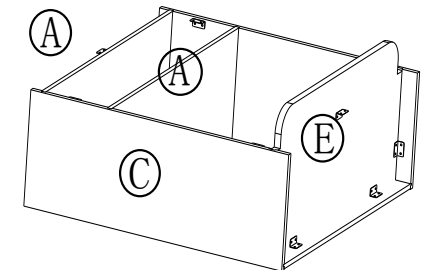
| PARTS LIST | | |
|------------|------------------|-----|
| NO. | Description | QTY |
| A | TOP&BOTTOM PANEL | 2 |
| B | BACK PANEL | 1 |
| C | SIDE PANEL | 2 |
| D | BOTTOM PANEL | 2 |
| E | FACE FRAME | 1 |
| F | CABINETS DOOR | 2 |



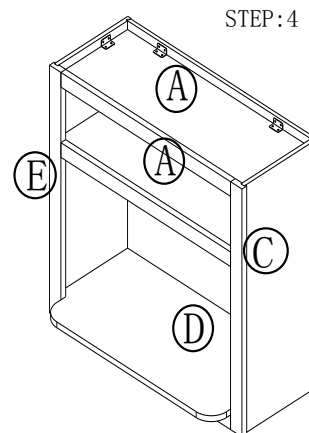
STEP: 1



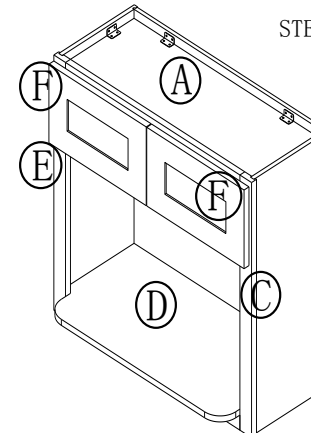
STEP: 2



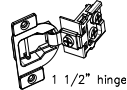





STEP: 3



STEP: 4



STEP: 5

| 6 | 1 1/2" SOFTCLOSE HINGE | 4 |  1 1/2" hinge |
|-----|--------------------------------|-----|---|
| 5 | 3/4" ROUND HEAD SCREW | 4 |  3/4" round head screw |
| 4 | BUMPER | 4 |  Bumper |
| 3 | 9/16" ROUND HEAD SCREW | 76 |  9/16" round head screw |
| 2 | CLEAT | 19 |  Cleat |
| 1 | 1" FLAT HEAD SCREW FOR CARCASS | 12 |  1" flat head screw |
| NO. | Description | QTY | PICTURE |

HARDWARE LIST