

# DCSF42

## ASSEMBLY INSTRUCTIONS

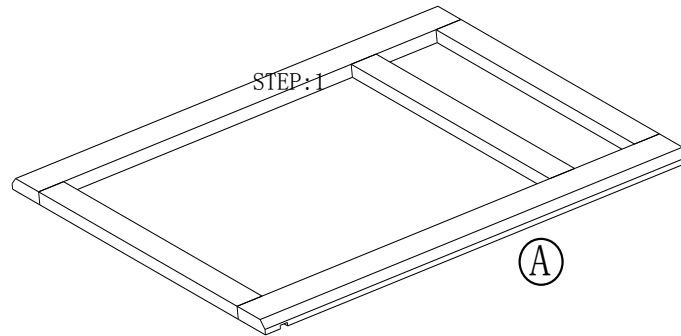
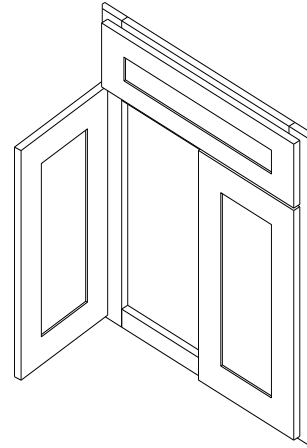
Getting started:

prepare a protection layer, a screwdriver

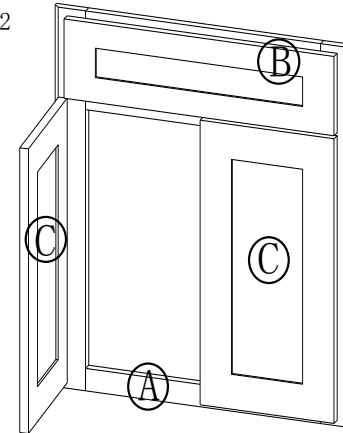
STEP 1: Put the front face frame on the floor

STEP 2: Fix door&drawer head onto the frame and adjust the cover-space

PARTS LIST		
NO.	Description	QTY
A	FACE FRAME	1
B	DRAWER HEAD	1
C	CABINETS DOOR	2



STEP:2



3	1 1/2" SOFTCLOSE HINGE	4	 1 1/2" hinge
2	3/4" ROUND HEAD SCREW	4	 3/4" Round head screw
1	BUMPER	4	 Bumper
NO.	Description	QTY	PICTURE
HARDWARE LIST			