

DSB42

ASSEMBLY INSTRUCTIONS

Getting started:

prepare a protection layer, a screwdriver

STEP 1: Joint left side panel with left side pack panel

STEP 2: Fix the bottom panel on

STEP 3: Insert back panel through the groove

STEP 4: Attach face frame, then screw up



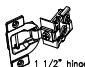




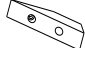


STEP 5: Joint right side panel with right side pack panel

STEP 6: Attach toe-kick on

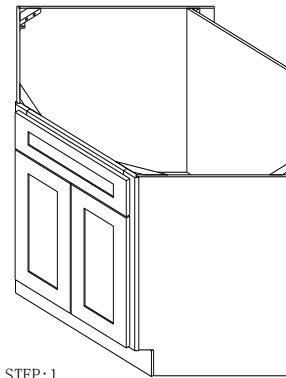
STEP 7: Install wood block

STEP 8: Fix drawer head on the drawer front and fix door onto the frame and adjust the cover-space

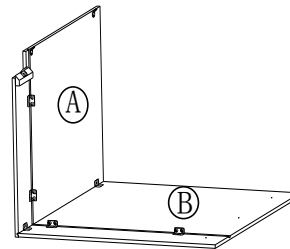
PARTS LIST		
NO.	Description	QTY
A	SIDE PANEL	2
B	SIDE PACK	2
C	BOTTOM PANEL	1
D	TOE KICK	1
E	FACE FRAME	1
F	BACK PANEL	1
G	DRAWER HEAD	1
H	CABINETS DOOR	2

10	3/4" ROUND HEAD SCREW	4	 3/4" round head screw
9	BUMPER	4	 Bumper
8	1 1/2" SOFTCLOSE HINGE	4	 1 1/2" hinge
7	CLEAT	16	 Cleat
6	9/16" ROUND HEAD SCREW	64	 9/16" round head screw
5	135 DEGREE ANGLE	4	 135° angle
4	1" FLAT HEAD SCREW FOR CARCASS	14	 1" flat head screw
3	BLOCK	2	
2	BLOCK	2	
1	9/16" flat head screw	16	 9/16" flat head screw
NO.	Description	QTY	PICTURE

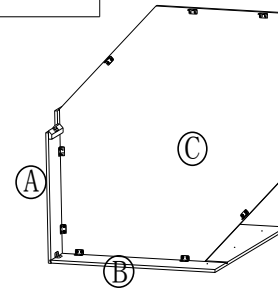
HARDWARE LIST



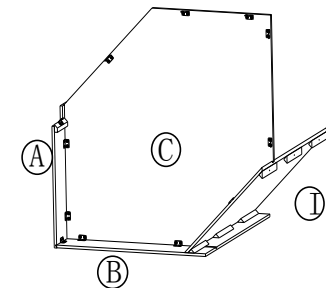
STEP:1



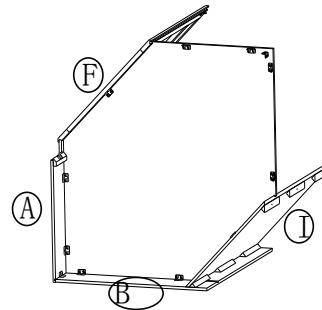
STEP:2



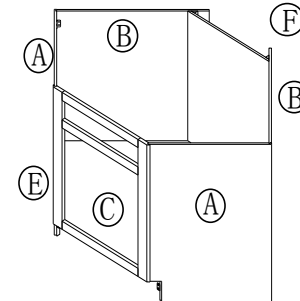
STEP:3



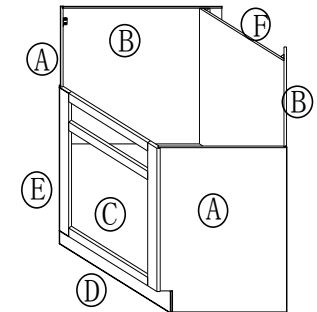
STEP:4



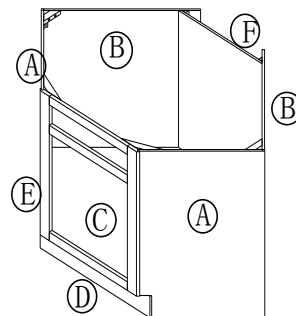
STEP:5



STEP:6



STEP:7



STEP:8

