

**BBC36,BBC42**

**ASSEMBLY INSTRUCTIONS**

Getting started:

prepare a protection layer, a screwdriver

STEP 1: Joint side panel with back panel

STEP 2: Joint bottom panel with side panel

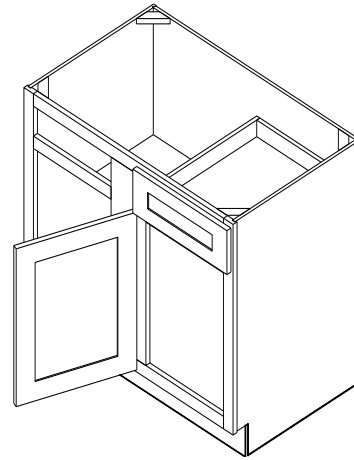
STEP 3: Joint side panel with bottom & back panel

STEP 4: Attach frame on and toekick board


STEP 5: Joint the drawer together, then install the drawer guide.

STEP 6: Attach the block on the top corner, and put on the adjustable shelf

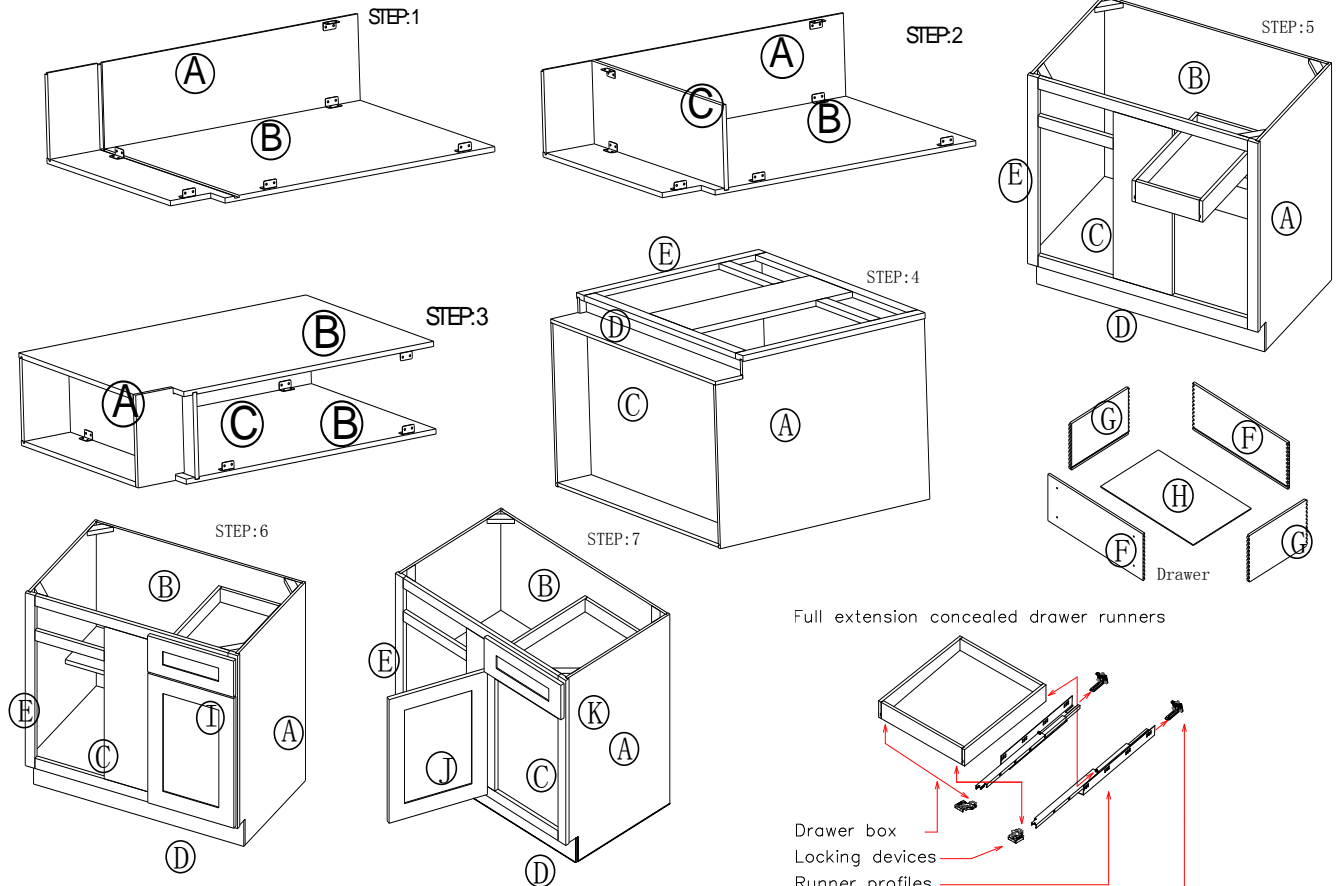
STEP 7: Fix drawer head on the drawer front and fix door onto the frame and adjust the cover-space



PARTS LIST		
NO.	Description	QTY
A	BACK PANEL	1
B	SIDE PANEL	2
C	TOP&BOTTOM PANEL	1
D	TOE KICK	1
E	FACE FRAME	1
F	DRAWER BOX FRONT AND BACK	2
G	DRAWER BOX SIDE	2
H	DRAWER BOX BOTTOM	1
I	ADJUSTABLE SHELF	1
J	CABINETS DOOR	1
K	DRAWER HEAD	1

11	1 1/2" SOFTCLOSE HINGE	2	 1 1/2" hinge
10	3/4" ROUND HEAD SCREW	2	 3/4" round head screw
9	BUMPER	6	 Bumper
8	1" ROUND HEAD SCREW	4	 1" round head screw
7	Selfclose slider	1	 Selfclose slider
6	SHELF CLIP	4	 Shelf clip
5	9/16" ROUND HEAD SCREW	44	 9/16" round head screw
4	CLEAT	11	 Cleat
3	1" FLAT HEAD SCREW FOR CARCASS	5	 1" flat head screw
2	BLOCK	4	 Block
1	1" FLAT HEAD SCREW FOR WOOD BLOCK	8	 1" flat head screw
NO.	Description	QTY	PICTURE

**HARDWARE LIST**



Full extension concealed drawer runners

