

B33,B36,B42

ASSEMBLY INSTRUCTIONS

Getting started:

prepare a protection layer, a screwdriver

STEP 1: Joint side panel with back panel

STEP 2: Joint bottom panel with side panel

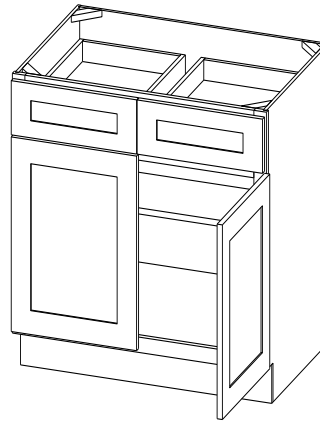
STEP 3: Joint side panel with bottom & back panel

STEP 4: Attach frame on and toekick board










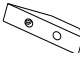

STEP 5: Joint the drawer together, then install the drawer guide.

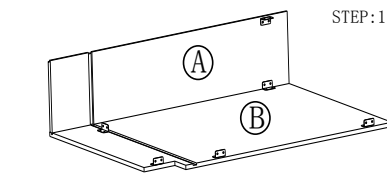
STEP 6: Attach the block on the top corner, and put on the adjustable shelf

STEP 7: Fix drawer head on the drawer front and fix door onto the frame and adjust the cover-space

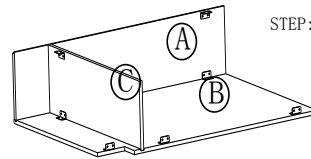


| PARTS LIST | | |
|------------|---------------------------|-----|
| NO. | Description | QTY |
| A | BACK PANEL | 1 |
| B | SIDE PANEL | 2 |
| C | TOP&BOTTOM PANEL | 1 |
| D | TOE KICK | 1 |
| E | FACE FRAME | 1 |
| F | DRAWER BOX FRONT AND BACK | 4 |
| G | DRAWER BOX SIDE | 4 |
| H | DRAWER BOX BOTTOM | 2 |
| I | ADJUSTABLE SHELF | 1 |
| J | DRAWER HEAD | 2 |
| K | CABINETS DOOR | 2 |

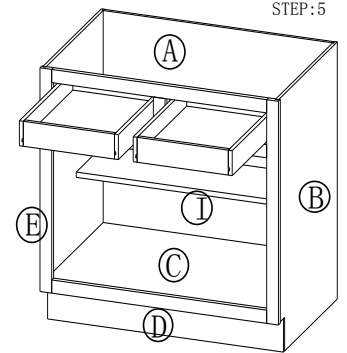
| 11 | 1 1/2" SOFTCLOSE HINGE | 4 |  |
|-----|-----------------------------------|-----|---|
| 10 | 3/4" ROUND HEAD SCREW | 4 |  |
| 9 | BUMPER | 12 |  |
| 8 | 1" ROUND HEAD SCREW | 8 |  |
| 7 | Selfclose slider | 2 |  |
| 6 | SHELF CLIP | 4 |  |
| 5 | 9/16" ROUND HEAD SCREW | 44 |  |
| 4 | CLEAT | 11 |  |
| 3 | 1" FLAT HEAD SCREW FOR CARCASS | 4 |  |
| 2 | BLOCK | 4 |  |
| 1 | 1" FLAT HEAD SCREW FOR WOOD BLOCK | 8 |  |
| NO. | Description | QTY | PICTURE |



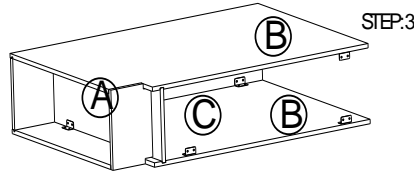
STEP:1



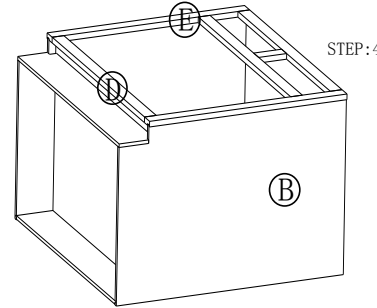
STEP:2



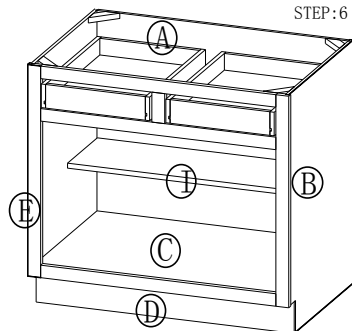
STEP:5



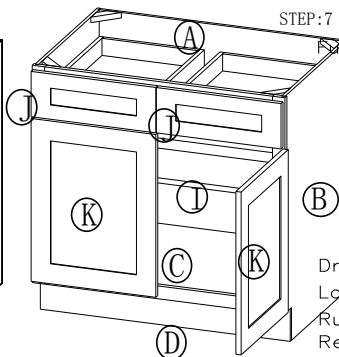
STEP:3



STEP:4

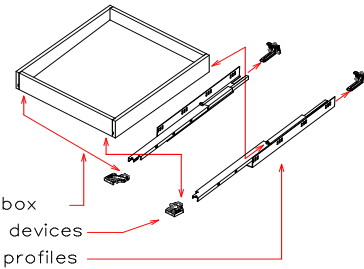


STEP:6



STEP:7

extension concealed drawer runners



Drawer box
Locking devices
Runner profiles
Rear mounting brackets(for frame applications)