

B24,B27,B30

ASSEMBLY INSTRUCTIONS

Getting started:

prepare a protection layer, a screwdriver

STEP 1: Joint side panel with back panel

STEP 2: Joint bottom panel with side panel

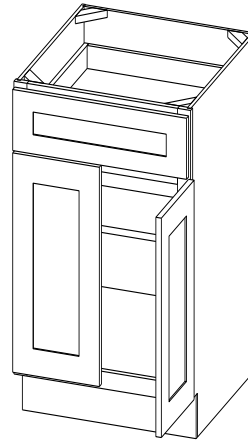
STEP 3: Joint side panel with bottom & back panel

STEP 4: Attach frame on and toekick board

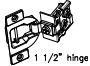








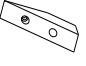

STEP 5: Join the drawer together, then install the drawer guide.

STEP 6: Attach the block on the top corner, and put on the adjustable shelf

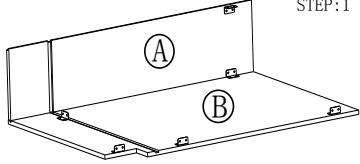
STEP 7: Fix drawer head on the drawer front and fix door onto the frame and adjust the cover-space



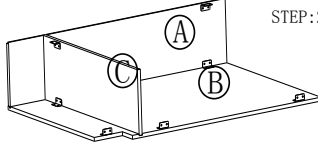
PARTS LIST		
NO.	Description	QTY
A	BACK PANEL	1
B	SIDE PANEL	2
C	TOP&BOTTOM PANEL	1
D	TOE KICK	1
E	FACE FRAME	1
F	DRAWER BOX FRONT AND BACK	2
G	DRAWER BOX SIDE	2
H	DRAWER BOX BOTTOM	1
I	ADJUSTABLE SHELF	1
J	DRAWER HEAD	1
K	CABINETS DOOR	2

11	1 1/2" SOFTCLOSE HINGE	4	
10	3/4" ROUND HEAD SCREW	4	
9	BUMPER	8	
8	1" ROUND HEAD SCREW	4	
7	Selfclose slider	1	
6	SHELF CLIP	4	
5	9/16" ROUND HEAD SCREW	44	
4	CLEAT	11	
3	1" FLAT HEAD SCREW FOR CARCASS	3	
2	BLOCK	4	
1	1" FLAT HEAD SCREW FOR WOOD BLOCK	8	
NO.	Description	QTY	PICTURE

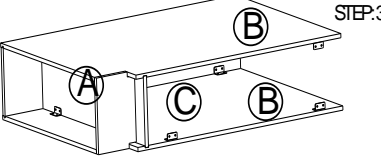
STEP:1



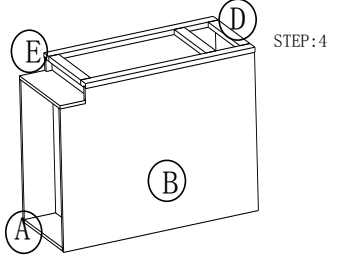
STEP:2



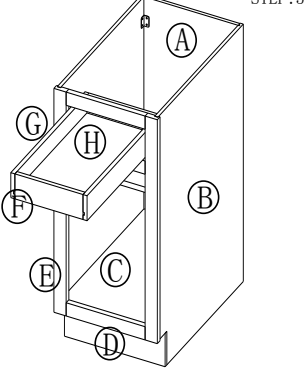
STEP:3

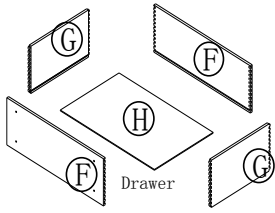


STEP:4

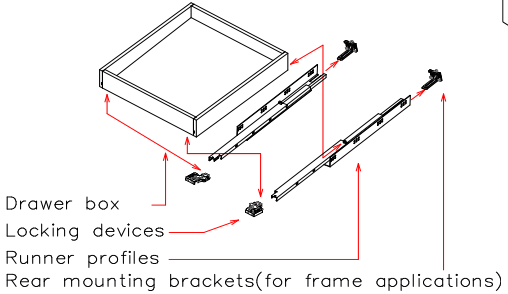


STEP:5





Full extension concealed drawer runners



Drawer box
Locking devices
Runner profiles
Rear mounting brackets(for frame applications)

